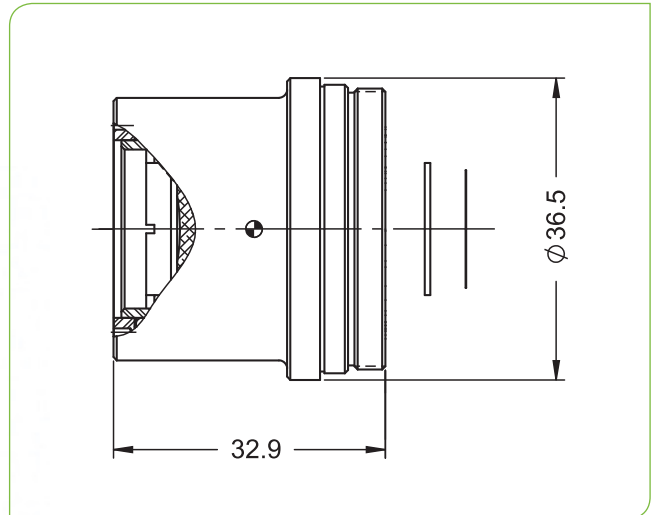


# SupIR 9.8mm f/1.25, Fixed Athermalized 680138

TYPICAL ICD\*



**HD**  
FORMAT



LWIR | 1-FOV

HFOV	320x240	384x288	640x480	1024x768
17μ	31.6°	38.0°	64.9°	
12μ	22.2°	26.7°	44.9°	74.3°

Property	Value				
<b>Optical</b>					
Focal Length	9.8mm				
F#	1.25				
Average transmission (8-12μm)	96% (HD) / 88% (HC)				
Back Focal Length	13.94mm in air				
<b>Mechanical</b>					
Focus Mechanism	Fixed				
Depth of Field	5m to infinity				
Focus Range	0.3m to infinity				
Weight	70gr				
Max. Dimensions	Ø36.5mm x 32.9mm				
<b>Environmental</b>					
Operation Temperature	-30°C to +70°C				
Storage Temperature	-51°C to +95°C				
Sealing	IP 67 for 680138-002				
<b>Configurations</b>	<b>Weight (gr)</b>	<b>Dimensions</b>	<b>BWD**</b>	<b>Thread</b>	<b>Coating</b>
680138-002	70	Ø36.5mm x 32.9mm	9.7	M34x0.5	HC
680138-003					HD, sealed

\* The ICD drawing provided here is primarily a representation and may not accurately reflect the product's actual dimensions and specifications. For precise integration specifications contact your local sales representative.

\*\* The BWD value is calculated for a unique detector setup with varying sealing windows in terms of thickness and material. For more details, contact your local sales representative.